

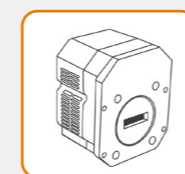
# iVac Quick Start Guide

For iVac 316 and 324 models



## 2 Unpack the Camera

### Camera



iVac Camera  
(model as ordered)

### Essentials



Documentation  
scan or visit:  
[andor.oxinst.com/welcome](http://andor.oxinst.com/welcome)



Software  
(copy supplied)

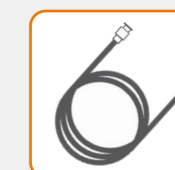


Hex Keys (x2)

### Cables



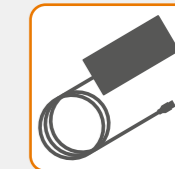
USB 2.0 Cable



Trigger Cable  
1 x BNC to SMA



Country Specific  
Power Cord



Power Supply

## 1 Prepare your Facility



Handle the camera and accessories with care.



Use correct power supply and cables.



Observe anti-static precautions when installing the camera.



Keep dry, <70% humidity non-condensing.



Ensure 100 mm clearance around camera and power supply vents (Do **not** block vents when operating on benchtop).



Store between -25°C and 50°C.  
Operate between 0°C and 40°C.



Operation of the camera close to intense pulsed sources (e.g. plasma and X-ray sources) may compromise performance.

Refer to the user manual for further information

## 3 Install Software (SDK2 or Solis)

**You must have administrator access on your PC to perform this installation.**

These instructions cover installation of both Andor Solis and Andor SDK if ordered. A copy of the software is provided within the camera box. Additionally, the latest software files are available to download on request, please sign in or create an account at [andor.oxinst.com/downloads](http://andor.oxinst.com/downloads)

Windows: Switch on the PC, run the setup exe from the supplied copy or the downloaded file: e.g. AndorSDK2Setup-<version>.exe.

1. Confirm the version of software (minimum is v2.1x).
2. Follow the on screen prompts.
3. Select the installation directory when prompted.
4. If prompted for camera type select **iVac**.
5. On the final window click on **"Install"**. Continue to follow the on screen prompts.
6. To complete the installation, when prompted select **"Yes, restart the computer now"** and click on the finish button.

### Linux:

For detailed instructions on how to install the SDK drivers on Linux please refer the Andor SDK2 Manual, available at [andor.oxinst.com/downloads](http://andor.oxinst.com/downloads).

For Andor spectrographs, please see the quick start guide for specific spectrograph model software requirements.



## 4 Connect the Camera to a Spectrograph



Refer also to your Spectrograph User Guide

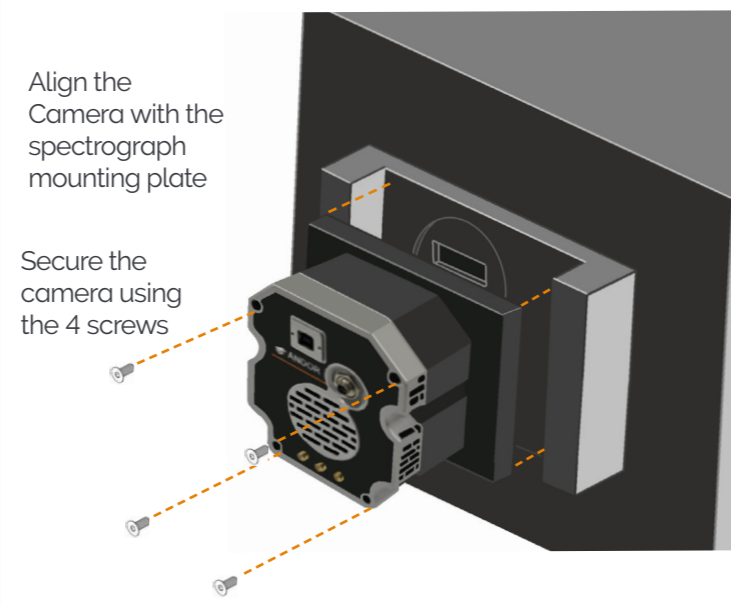
### Attach the iVac to the Spectrograph

1. Carefully remove the protective film from the front face of the camera.
2. Remove the blanking plate from the spectrograph mounting plate.
3. Ensure O-ring is correctly positioned at the front of the camera to prevent light leakage.
4. Align the camera to the mounting plate of the spectrograph as shown below.
5. Secure the camera to the spectrograph as shown below, using the 4 screws provided.

### Spectrograph shutter can be controlled by the detector.

Secure SMA-to-BNC cable between camera SMA connector and spectrograph BNC shutter connector.

### Attaching the iVac to a Spectrograph



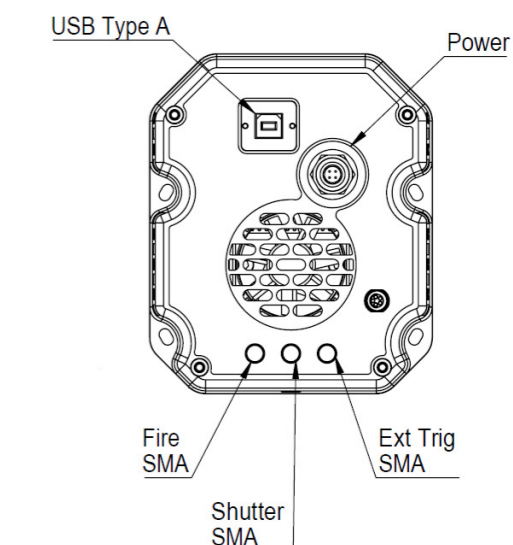
## 6 Connect the Camera to the PC and Switch on



Ensure the mains power cable is not connected before attaching the PSU to the camera.

1. Secure the power supply cable to the camera power lockable connector.
2. Insert the mains cable into the camera power supply unit.
3. Connect the USB cable to the camera and an available USB port on the PC.
4. Ensure input/output cables have been secured in the appropriate labelled connectors at the back of the camera.
5. Switch on the spectrograph. This is only needed for motorised Andor spectrographs (other spectrograph operation may vary).
6. Switch on the camera.
7. Start your software.
8. View and adjust the acquisition settings as required.
9. Start acquiring data.

### iVac Rear Panel Connections



## 5 Align the Camera to a Spectrograph



Refer also to your Spectrograph User Guide

If an Andor spectrograph was also ordered with your iVac, the camera should be already attached and aligned to the instrument. Please consult the spectrograph user manual for final setup steps.

If you want to attach your iVac camera to a standalone Andor or third party spectrograph, please refer to the appropriate manual supplied with the instrument for further information on alignment and focusing optimisation.

Please refer to guidance from your spectrograph manufacturer when attaching your camera.

## ? Troubleshoot

### Camera is not recognized by PC

- Check that the camera power and USB cable are connected securely and the mains power cable is inserted.
- Ensure the spectrograph is powered up before the camera is powered up (when applicable i.e. Andor spectrograph has been ordered, other spectrograph manufacturer operation may vary).
- Check that the drivers have been installed properly (Control Panel – System – Hardware – Device Manager – Imaging Devices).

Please see the Hardware Guide for further information on Troubleshooting.

Online access to technical documentation is available at: [andor.oxinst.com/downloads](http://andor.oxinst.com/downloads)